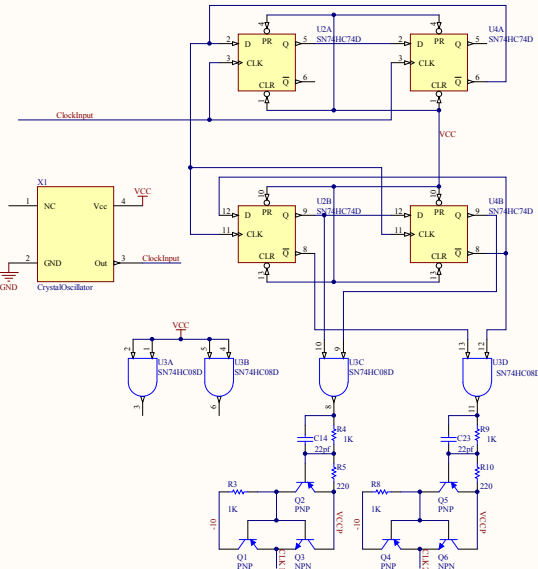
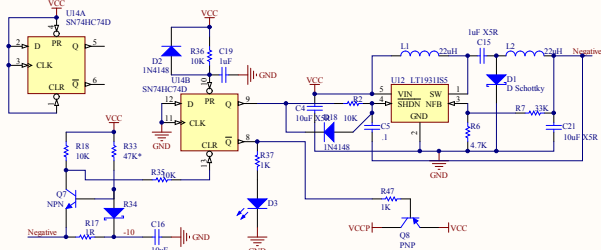


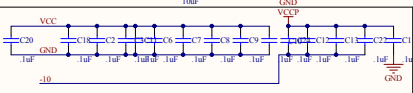
# CLOCK GENERATOR



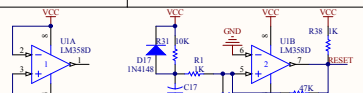
# NEGATIVE POWER(With protection)



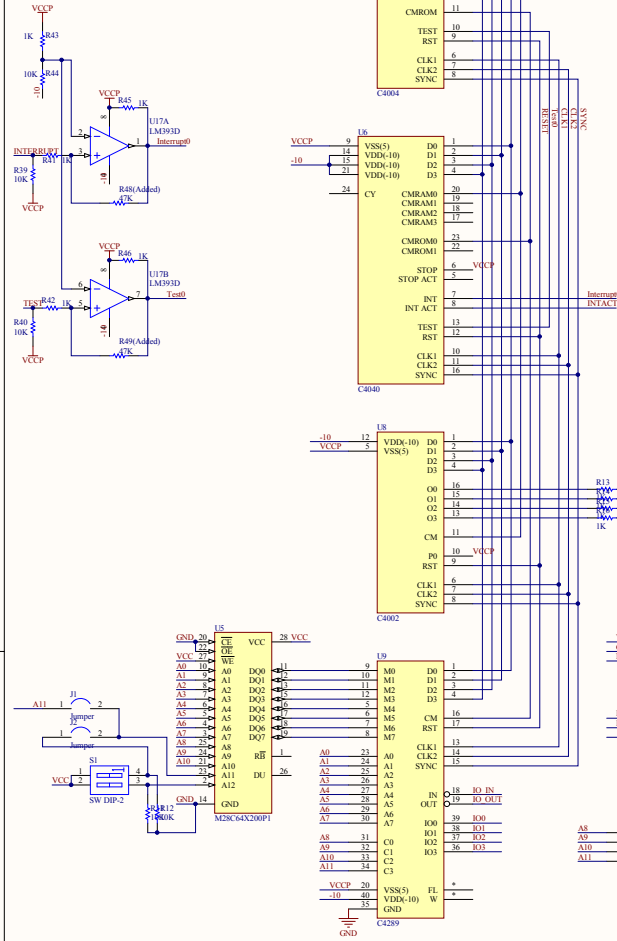
# CAPACITORS



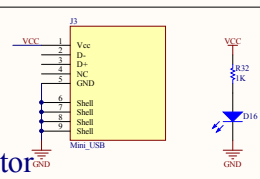
# RESET CIRCUIT



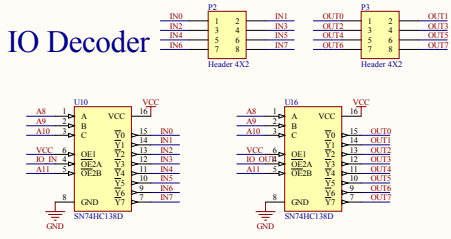
# The CPU



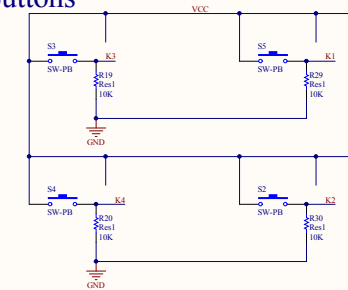
# Power Connector



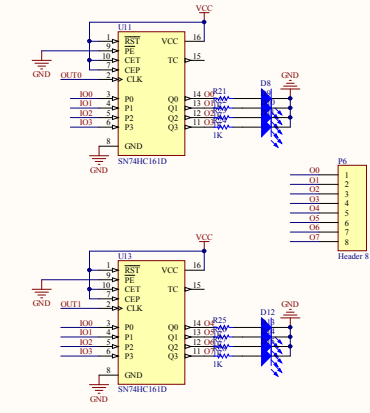
# IO Decoder



# Buttons



# LED



Title			
Size	Number	Revision	
A2			
Date:	2013/11/22	Sheet of	
File:	C:\Users\Main\SCHDoc	Drawn by	