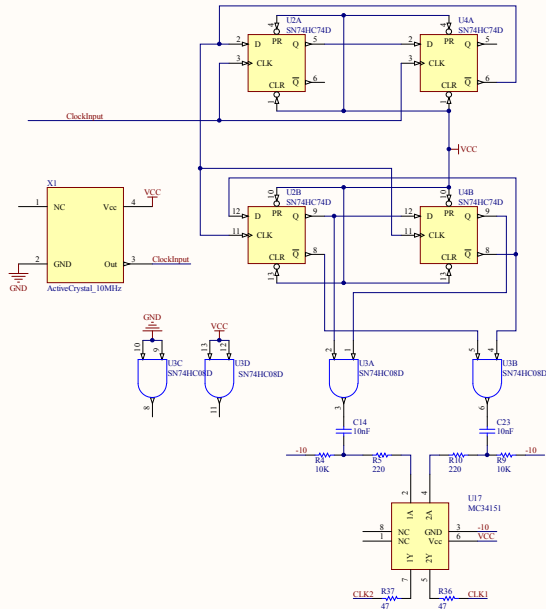
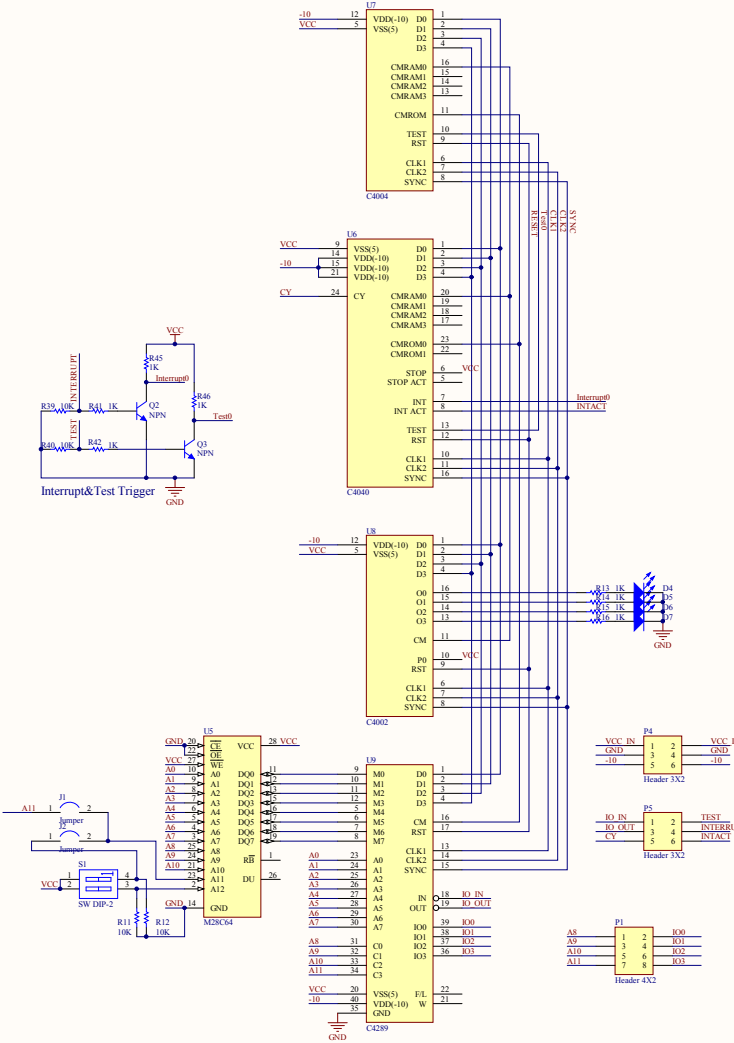


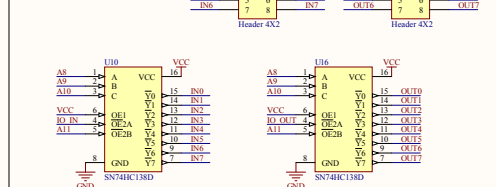
# CLOCK GENERATOR



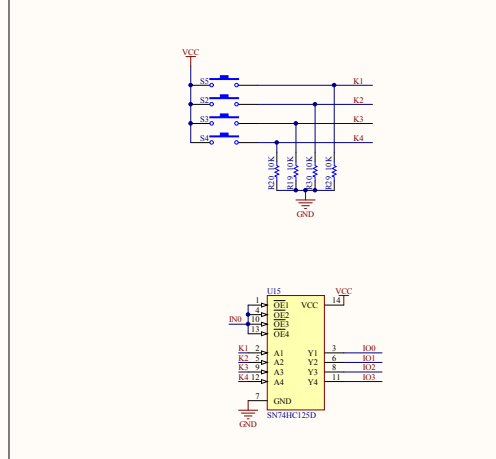
# The CPU



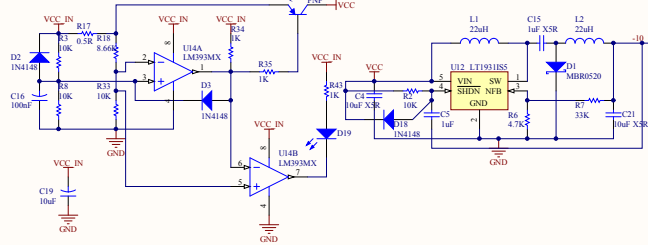
# IO Decoder



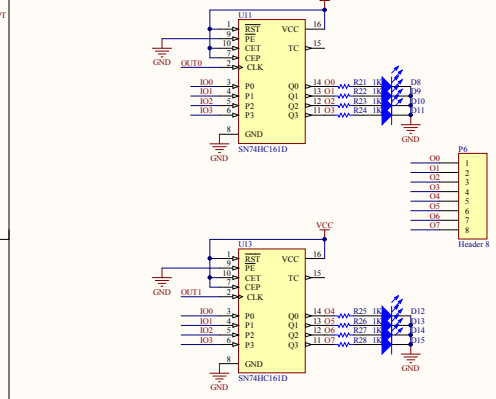
# Buttons



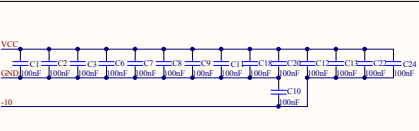
# NEGATIVE POWER(With protection)



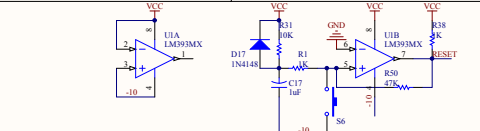
# LED



# CAPACITORS



# RESET CIRCUIT



# Power Connector

